

Description

The US5D306 is a 2.1-GHz, 6-output differential high-performance clock fanout buffer.

The input clock can be selected from two differential inputs or one crystal input. The selected input clock is distributed to two banks of 3 differential outputs and one LVCMOS output. Both differential output banks can be independently configured as LVPECL, LVDS, or HCSL drivers, or disabled. The LVCMOS output has a synchronous enable input for runt-pulse-free operation when enabled or disabled. The outputs are at a defined level when inputs are open.

The internal oscillator circuit is automatically disabled if the crystal input is not selected. The crystal pin can be driven by a single-ended clock.

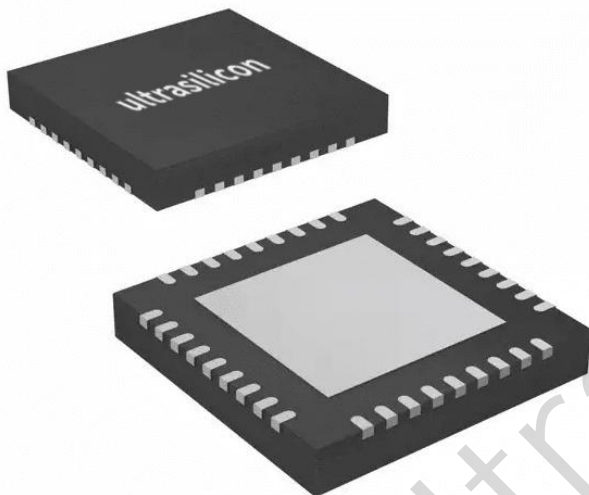
The device is designed for a signal fanout of high-frequency, low phase-noise clock and data signal. It is designed to operate from a 3.3V or 2.5V core power supply, and either a 3.3V or 2.5V output operating supply.

Applications

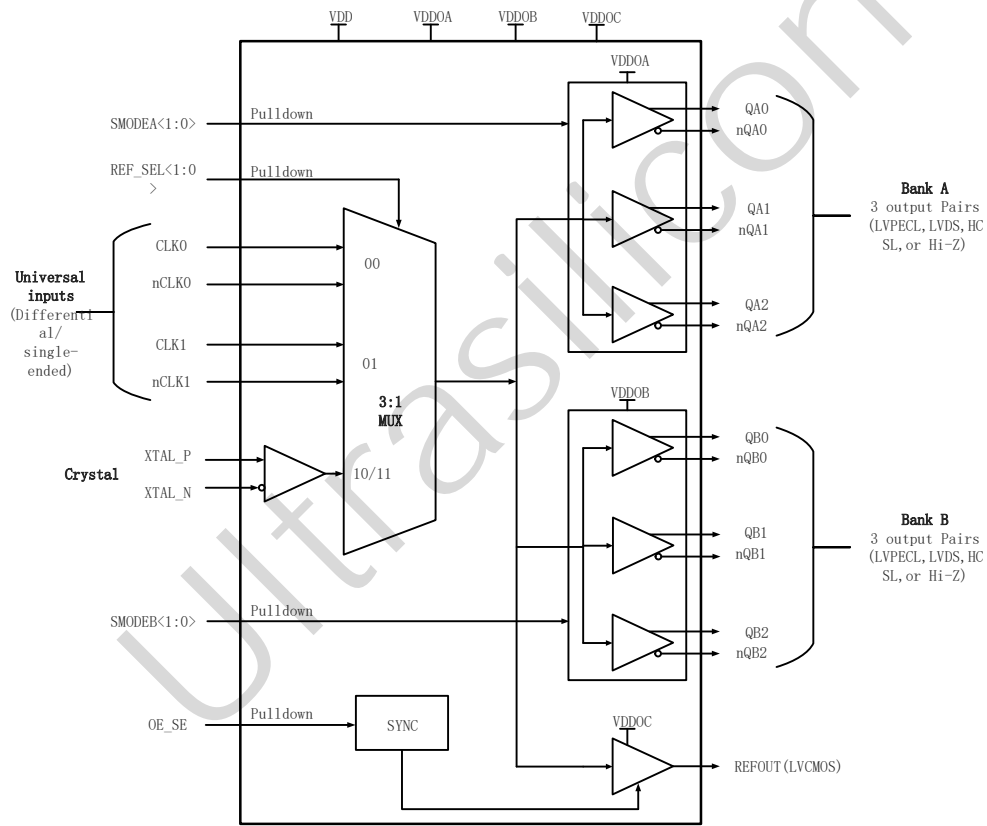
- Clock distribution and level translation for ADCs, DACs, Multi-Gigabit Ethernet, XAUI, Fibre channel, SATA/SAS, SONET/SDH, CPRI, High-Frequency Backplanes
- Switches, Routers, Line Cards, Timing Cards
- Servers, Computing, PCI Express (PCIe 3.0, 4.0, 5.0)
- Remote Radio Units and Baseband Units

Features

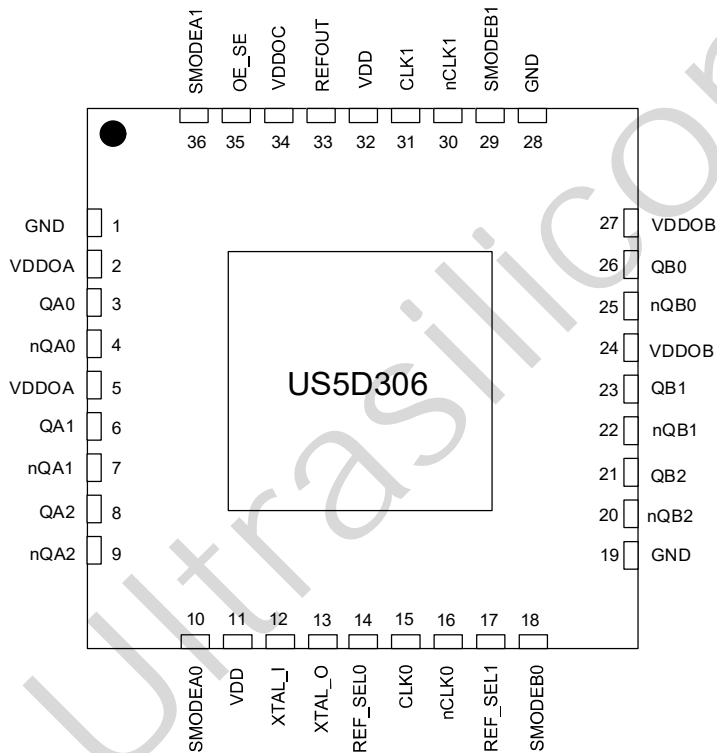
- Two differential reference clock input pairs
- Differential input pairs can accept the following differential input levels: LVPECL, LVDS, HCSL, HSTL or Single Ended
- Crystal Input accepts 10MHz to 40MHz Crystal or Single Ended Clock
- Maximum Output Frequency
 - LVPECL - 2.1GHz
 - LVDS - 2.1GHz
 - HCSL - 250MHz
 - LVCMOS - 250MHz
- Two banks, each has three differential output pairs that can be configured as LVPECL or LVDS or HCSL or HiZ
- One single-ended reference output with synchronous enable to avoid clock glitch
- Output skew: 20ps (typical)
(Bank A and Bank B at the same output level)
- Part-to-part skew: 200ps (typical)
- Additive RMS phase jitter @ 156.25MHz:
 - 12.5 fs RMS (10kHz - 1 MHz), typical @ 3.3V/ 3.3V
 - 50.5 fs RMS (10kHz - 20MHz), typical @ 3.3V/ 3.3V
- Supply voltage modes:
 - V_{DD}/V_{DDO}
 - 3.3V/3.3V
 - 3.3V/2.5V
 - 2.5V/2.5V
- Industrial Temperature Range: -40°C to 85°C
- Compatible with Imk00306
- Available in a 36-pin, 6mm*6mm WQFN package



Block Diagram



Pin Assignment for 6mm x 6mm 36-Lead WQFN Package



Pin Description and Pin Characteristic Tables

Table 1: Pin Descriptions¹

Number	Name	Type		Description
1	GND	Power		Ground.
2	V _{DDOA}	Power		Output supply pins for Bank QA outputs. 3.3V or 2.5V.
3	QA0	Output		Differential Bank A clock output pair. LVPECL, LVDS or HCSL interface levels.
4	nQA0	Output		Differential Bank A clock output pair. LVPECL, LVDS or HCSL interface levels.
5	V _{DDOA}	Power		Output supply pins for Bank QA outputs. 3.3V or 2.5V.
6	QA1	Output		Differential Bank A clock output pair. LVPECL, LVDS or HCSL interface levels.
7	nQA1	Output		Differential Bank A clock output pair. LVPECL, LVDS or HCSL interface levels.
8	QA2	Output		Differential Bank A clock output pair. LVPECL, LVDS or HCSL interface levels.
9	nQA2	Output		Differential Bank A clock output pair. LVPECL, LVDS or HCSL interface levels.
10	SMODEA0	Input	Pulldown	Output driver select for Bank A outputs. See Table 8 for function. LVCMOS/LVTTL interface levels.
11	V _{DD}	Power		Power supply for Core and input Buffer blocks, 3.3V or 2.5V.
12	XTAL_I	Input		Crystal oscillator interface.
13	XTAL_O	Input		Crystal oscillator interface.
14	REF_SEL0	Input	Pulldown	Input clock selection. LVCMOS/LVTTL interface levels. See Table 3 for function.
15	CLK0	Input	Pulldown	Non-inverting differential clock. Internally biased to ground.
16	nCLK0	Input	Pullup/ Pulldown	Inverting differential clock. Internally biased to 0.5V _{DD} .
17	REF_SEL1	Input	Pulldown	Input clock selection. LVCMOS/LVTTL interface levels. See Table 3 for function.
18	SMODEB0	Input	Pulldown	Output driver select for Bank B outputs. See Table 9 for function. LVCMOS/LVTTL interface levels.
19	GND	Power		Ground.
20	nQB2	Output		Differential Bank B clock output pair. LVPECL, LVDS or HCSL interface levels.
21	QB2	Output		Differential Bank B clock output pair. LVPECL, LVDS or HCSL interface levels.
22	nQB1	Output		Differential Bank B clock output pair. LVPECL, LVDS or HCSL interface levels.
23	QB1	Output		Differential Bank B clock output pair. LVPECL, LVDS or HCSL interface levels.
24	V _{DDOB}	Power		Output supply pins for Bank QB outputs. 3.3V or 2.5V.
25	nQB0	Output		Differential Bank B clock output pair. LVPECL, LVDS or HCSL interface levels.
26	QB0	Output		Differential Bank B clock output pair. LVPECL, LVDS or HCSL interface levels.
27	V _{DDOB}	Power		Output supply pins for Bank QB outputs. 3.3V or 2.5V.
28	GND	Power		Ground.
29	SMODEB1	Input	Pulldown	Output driver select for Bank B outputs. See Table 9 for function. LVCMOS/LVTTL interface levels.
30	nCLK1	Input	Pullup/ Pulldown	Inverting differential clock. Internally biased to 0.5V _{DD} .
31	CLK1	Input	Pulldown	Non-inverting differential clock. Internally biased to ground.
32	V _{DD}	Power		Power supply for Core and input Buffer blocks, 3.3V or 2.5V.

Table 1: Pin Descriptions¹ (Continued)

Number	Name	Type		Description
33	REFOUT	Output		Single-ended reference clock output. LVCMOS/LVTTL interface levels.
34	VDDOC	Power		Output supply pin for REFOUT output.
35	OE_SE	Input	Pulldown	REFOUT output enable. LVCMOS/LVTTL interface levels. See Table 4.
36	SMODEA1	Input	Pulldown	Output driver select for Bank A outputs. See Table 8 for function. LVCMOS/LVTTL interface levels.
ePad	GND_EP	Power		Connect ePad to ground to ensure proper heat dissipation.

NOTE 1. *Pulldown* and *Pullup* refer to internal input resistors. See Table 2, *Pin Characteristics*, for typical values.

Table 2: Pin Characteristics

Symbol	Parameter		Test Conditions	Minimum	Typical	Maximum	Units
C _{IN}	Input Capacitance	OE_SE, SMODEx[1:0], REF_SEL[1:0]			2		pF
R _{PULLDOWN}	Input Pulldown Resistor				50		kΩ
R _{PULLUP}	Input Pullup/down Resistor	nCLK0			40/40		kΩ
		nCLK1			40/40		kΩ
C _{PD}	Power Dissipation Capacitance	REFOUT	VDDOC = 3.465V		5.3		pF
		REFOUT	VDDOC = 2.625V		6.3		pF
R _{OUT}	Output Impedance	REFOUT	VDDOC = 3.3V		50		Ω
		REFOUT	VDDOC = 2.5V		60		Ω

Function Tables

Table 3: REF_SELx Function Table

Control Input	Selected Input Reference Clock
REF_SEL[1:0]	
00 (default)	CLK0, nCLK0
01	CLK1, nCLK1
10	XTAL
11	XTAL

Table 4: OE_SE Function Table¹

OE_SE	REFOUT
0 (default)	High-Impedance
1	Enabled

NOTE 1. Synchronous output enable to avoid clock glitch.

Table 5: Input/Output Operation Table, OE_SE

Input Status			Output State
OE_SE	REF_SEL [1:0]	CLKx and nCLKx	REFOUT
0 (default)	Don't care	Don't Care	High Impedance
1	10 or 11	Don't Care	Fanout crystal oscillator
1	00 (default)	CLK0 and nCLK0 are both open circuit	Logic Low
		CLK0 and nCLK0 are tied to ground	Logic Low
		CLK0 is high, nCLK0 is low	Logic High
		CLK0 is low, nCLK0 is high	Logic Low
1	01	CLK1 and nCLK1 are both open circuit	Logic Low
		CLK1 and nCLK1 are tied to ground	Logic Low
		CLK1 is high, nCLK1 is low	Logic High
		CLK1 is low, nCLK1 is high	Logic Low

Table 6: Input/Output Operation Table, SMODEA[1:0]

Input Status			Output State
SMODEA[1:0]	REF_SEL[1:0]	CLKx and nCLKx	QA[3:0], nQA[3:0]
11	Don't care	Don't Care	High Impedance
00, 01 or 10	10 or 11	Don't Care	Fanout crystal oscillator
00, 01 or 10	00 (default)	CLK0 and nCLK0 are both open circuit	QA[3:0] = Low nQA[3:0] = High
		CLK0 and nCLK0 are tied to ground	QA[3:0] = Low nQA[3:0] = High
		CLK0 is high, nCLK0 is low	QA[3:0] = High nQA[3:0] = Low
		CLK0 is low, nCLK0 is high	QA[3:0] = Low nQA[3:0] = High
00, 01 or 10	01	CLK1 and nCLK1 are both open circuit	QA[3:0] = Low nQA[3:0] = High
		CLK1 and nCLK1 are tied to ground	QA[3:0] = Low nQA[3:0] = High
		CLK1 is high, nCLK1 is low	QA[3:0] = High nQA[3:0] = Low
		CLK1 is low, nCLK1 is high	QA[3:0] = Low nQA[3:0] = High

Table 7: Input/Output Operation Table, SMODEB[1:0]

Input Status			Output State
SMODEB[1:0]	REF_SEL[1:0]	CLKx and nCLKx	QB[3:0], nQB[3:0]
11	Don't care	Don't Care	High Impedance
00, 01 or 10	10 or 11	Don't Care	Fanout crystal oscillator
00, 01 or 10	00 (default)	CLK0 and nCLK0 are both open circuit	QB[3:0] = Low nQB[3:0] = High
		CLK0 and nCLK0 are tied to ground	QB[3:0] = Low nQB[3:0] = High
		CLK0 is high, nCLK0 is low	QB[3:0] = High nQB[3:0] = Low
		CLK0 is low, nCLK0 is high	QB[3:0] = Low nQB[3:0] = High
00, 01 or 10	01	CLK1 and nCLK1 are both open circuit	QB[3:0] = Low nQB[3:0] = High
		CLK1 and nCLK1 are tied to ground	QB[3:0] = Low nQB[3:0] = High
		CLK1 is high, nCLK1 is low	QB[3:0] = High nQB[3:0] = Low
		CLK1 is low, nCLK1 is high	QB[3:0] = Low nQB[3:0] = High

Table 8: Output Level Selection Table, QA[0:4], nQA[0:4]

SMODEA1	SMODEA0	Output Type
0	0	LVPECL (default)
0	1	LVDS
1	0	HCSL
1	1	HiZ

Table 9: Output Level Selection Table, QB[0:4], nQB[0:4]

SMODEB1	SMODEB0	Output Type
0	0	LVPECL (default)
0	1	LVDS
1	0	HCSL
1	1	HiZ

Absolute Maximum Ratings

Exposure to absolute maximum rating conditions for extended periods may affect product reliability. Stresses beyond those listed under *Absolute Maximum Ratings* may cause permanent damage to the device. These ratings are stress specifications only. Functional operation of the product at these conditions or any conditions beyond those listed in the *DC Characteristics* or *AC Characteristics* is not implied.

Item	Rating
V_{DD}, V_{DDOX}^1	4.6V
V_{IN}	-0.3V to $V_{DDOX}^1 + 0.3V$
T_J :Junction Temperature	150°C
T_{STG} :Storage Temperature	-65°C to 150°C

NOTE 1. V_{DDOX} denotes V_{DDOA} , V_{DDOB} and V_{DDOC} .

ESD Ratings

		Max	Unit
V(ESD) Electrostatic discharge	Human-body model (HBM), ANSI/ESDA/JEDEC JS-001-2017	±2500	V
	Machine model (MM), JEDEC Std. JESD22-A115-C	±250	
	Charged-device model (CDM), ANSI/ESDA/JEDEC JS-002-2018	±750	

Latch up

		Max	Unit
Latch up	I-test, JEDEC STD JESD78E	±200	mA
	V-test, JEDEC STD JESD78E	4.6	V

Recommended Operating Conditions

Symbol	Parameter	Min	Typ	Max	Unit
T_A	Ambient air temperature	-40		85	°C
T_J	Junction temperature			125	°C
V_{DD}	Power supply for Core and input Buffer blocks	3.3-5%	3.3	3.3+5%	V
		2.5-5%	2.5	2.5+5%	
V_{DDOX}^1	Power supply for Bank QA or QB or REFOUT	3.3-5%	3.3	3.3+5%	V
		2.5-5%	2.5	2.5+5%	

NOTE 1. V_{DDOX} denotes V_{DDOA} , V_{DDOB} and V_{DDOC} .

Electrical Characteristics

Unless otherwise specified: VDD = 3.3 V ± 5%, VDDO = 3.3 V ± 5%, 2.5 V ± 5%, -40 °C ≤ TA ≤ 85 °C, CLKin driven differentially, input slew rate ≥ 3 V/ns. Typical values represent most likely parametric norms at VDD = 3.3 V, VDDO = 3.3 V, TA = 25 °C, and at the Recommended Operation Conditions at the time of product characterization and are not ensured.⁽¹⁾

Parameter		Test Conditions	Min	Typ	Max	Unit
Current Consumption⁽²⁾						
IDD_CORE	Core Supply Current, All Outputs Disabled	CLK_X selected		11.5		mA
		XTAL selected		21.5		mA
IDD_PECL	Additive Core Supply Current, Per LVPECL Bank Enabled			31.7		mA
IDD_LVDS	Additive Core Supply Current, Per LVDS Bank Enabled			39.5		mA
IDD_HCSL	Additive Core Supply Current, Per HCSL Bank Enabled			14.8		mA
IDD_CMOS	Additive Core Supply Current, LVCMOS Output Enabled			3.4		mA
IDDO_PECL	Additive Output Supply Current, Per LVPECL Bank Enabled	Includes Output Bank Bias and Load Currents, RT = 50 Ω to VDDO - 2V on all outputs in bank		188		mA
IDDO_LVDS	Additive Output Supply Current, Per LVDS Bank Enabled			42		mA
IDDO_HCSL	Additive Output Supply Current, Per HCSL Bank Enabled	Includes Output Bank Bias and Load Currents, RT = 50 Ω on all outputs in bank		118.5		mA
IDDO_CMOS	Additive Output Supply Current, LVCMOS Output Enabled	200 MHz, CL = 5 pF		1.6		mA
Power Supply Ripple Rejection (PSRR)						
PSRRPECL	Ripple-Induced Phase Spur Level ⁽³⁾ Differential LVPECL Output	100 kHz, 100 mVpp Ripple Injected on VDDO, VDDO = 3.3 V 156.25 MHz		-65		dBc
PSRRHCSL	Ripple-Induced Phase Spur Level ⁽³⁾ Differential HCSL Output			-76		dBc
PSRRLVDS	Ripple-Induced Phase Spur Level ⁽³⁾ Differential LVDS Output			-112		dBc
CMOS Control Inputs (REF_SEL[1:0], SMOEA[1:0], SMOEB[1:0], OE_SE)						
VIH	High-Level Input Voltage		1.65		VDD	V
VIL	Low-Level Input Voltage		GND		1.5	V
IiH	High-Level Input Current	VIH = VDD, Internal pull-down resistor			67	μA
IiL	Low-Level Input Current	VIL = 0 V, Internal pull-down resistor	-5	0.2		μA

- (1) The Electrical Characteristics tables list ensured specifications under the listed Recommended Operating Conditions except as otherwise modified or specified by the Electrical Characteristics Conditions and/or Notes. Typical specifications are estimations only and are not ensured.
- (2) See *Power Considerations* for more information on current consumption and power dissipation calculations.
- (3) Power supply ripple rejection, or PSRR, is defined as the single-sideband phase spur level (in dBc) modulated onto the clock output when a single-tone sinusoidal signal (ripple) is injected onto the VDDO supply. Assuming no amplitude modulation effects and small index modulation, the peak-to-peak deterministic jitter (DJ) can be calculated using the measured single-sideband phase spur level (PSRR) as follows: DJ (ps pk-pk) = $[(2 * 10^{(PSRR / 20)}) / (\pi * f_{CLK})] * 1E12$

Electrical Characteristics(continued)

Unless otherwise specified: VDD = 3.3 V ± 5%, VDDO = 3.3 V ± 5%, 2.5 V ± 5%, -40 °C ≤ TA ≤ 85 °C, CLKin driven differentially, input slew rate ≥ 3 V/ns. Typical values represent most likely parametric norms at VDD = 3.3 V, VDDO = 3.3 V, TA = 25 °C, and at the Recommended Operation Conditions at the time of product characterization and are not ensured.⁽¹⁾

Parameter		Test Conditions	Min	Typ	Max	Unit
Universal Clock Inputs (CLK0/nCLK0, CLK1/nCLK1)						
f _{CLKin}	Input Frequency Range ⁽⁴⁾	Functional up to 2.1 GHz Output frequency range and timing specified per output type (refer to LVPECL, LVDS, HCSL, LVCMOS output specifications)	DC		2.1	GHz
V _{IHD}	Differential Input High Voltage	CLKin driven differentially			VDD	V
V _{ILD}	Differential Input Low Voltage				GND	V
V _{ID}	Differential Input Voltage Swing ⁽⁵⁾		0.15		1.3	V
V _{CMD}	Differential Input Common Mode Voltage	V _{ID} = 150 mV V _{ID} = 350 mV V _{ID} = 800 mV	0.25		VDD - 1.2	V
			0.25		VDD - 1.1	
			0.25		VDD - 0.9	
V _{IH}	Single-Ended Input High Voltage	CLK_X driven single-ended (AC or DC coupled), nCLK_X AC coupled to GND or externally biased within V _{CM} range			VDD	V
V _{IL}	Single-Ended Input Low Voltage				GND	V
V _{I_SE}	Single-Ended Input Voltage Swing ⁽⁶⁾⁽⁷⁾		0.3		2	V _{pp}
V _{CM}	Single-Ended Input Common Mode Voltage		0.25		VDD - 1.2	V
ISO _{MUX}	Mux Isolation, CLK0 to CLK1	f _{OFFSET} > 50 kHz, P _{CLK_X} = 0 dBm	f _{CLK0} = 100 MHz		-112.5	dBc
			f _{CLK0} = 200 MHz		-82	
			f _{CLK0} = 500 MHz		-71	
			f _{CLK0} = 1000 MHz		-65	
Crystal Interface (XTAL_I, XTAL_O)						
F _{CLK}	External Clock Frequency Range ⁽⁴⁾	XTAL_I driven single-ended, XTAL_O floating			250	MHz
F _{XTAL}	Crystal Frequency Range	Fundamental mode crystal ESR ≤ 200 Ω (10 to 30 MHz) ESR ≤ 125 Ω (30 to 40 MHz) ⁽⁸⁾	10		40	MHz
C _{IN}	XTAL Input Capacitance				4	pF

(4) Specification is ensured by characterization and is not tested in production.

(5) See V_{ID} = Differential input Voltage Swing, V_{OD} = Differential output Voltage Swing.

(6) Parameter is specified by design, not tested in production.

(7) For clock input frequency ≥ 100 MHz, CLK_X can be driven with single-ended (LVCMOS) input swing up to 3.3 V_{pp}. For clock input frequency < 100 MHz, the single-ended input swing should be limited to 2 V_{pp} max to prevent input saturation.

(8) The ESR requirements stated must be met to ensure that the oscillator circuitry has no startup issues. However, lower ESR values for the crystal may be necessary to stay below the maximum power dissipation (drive level) specification of the crystal.

Electrical Characteristics(continued)

Unless otherwise specified: VDD = 3.3 V ± 5%, VDDO = 3.3 V ± 5%, 2.5 V ± 5%, -40 °C ≤ TA ≤ 85 °C, CLKin driven differentially, input slew rate ≥ 3 V/ns. Typical values represent most likely parametric norms at VDD = 3.3 V, VDDO = 3.3 V, TA = 25 °C, and at the Recommended Operation Conditions at the time of product characterization and are not ensured.⁽¹⁾

Parameter		Test Conditions	Min	Typ	Max	Unit
LVPECL Outputs						
f _{CLKout_FS}	Maximum Output Frequency Full V _{OD} Swing ⁽⁴⁾ (9)	V _{OD} ≥ 600 mV, R _L = 100 Ω differential	VDDO = 3.3 V ± 5%, R _T = 160 Ω to GND	0.8		GHz
			VDDO = 2.5 V ± 5%, R _T = 91 Ω to GND	1.0		
f _{CLKout_RS}	Maximum Output Frequency Reduced V _{OD} Swing ⁽⁴⁾ (9)	V _{OD} ≥ 400 mV, R _L = 100 Ω differential	VDDO = 3.3 V ± 5%, R _T = 160 Ω to GND	2.1		GHz
			VDDO = 2.5 V ± 5%, R _T = 91 Ω to GND	2.3		
Jitter _{ADD}	Additive RMS Jitter, Integration Bandwidth 12 kHz to 20 MHz ⁽⁶⁾ (10)(11)	VDDO = 3.3 V ± 5%; R _T = 160 Ω to GND, R _L = 100 Ω differential	CLKin: 156.25 MHz, Slew rate ≥ 3 V/ns	50.5		fs
Jitter _{ADD}	Additive RMS Jitter Integration Bandwidth 1 MHz to 20 MHz ⁽¹⁰⁾	VDDO = 3.3 V, R _T = 160 Ω to GND, R _L = 100 Ω differential	CLKin: 156.25 MHz, Slew rate ≥ 3 V/ns	48.6		fs
Noise Floor	Noise Floor f _{OFFSET} ≥ 10 MHz ⁽¹³⁾ (14)	VDDO = 3.3 V, R _T = 160 Ω to GND, R _L = 100 Ω differential	CLKin: 156.25 MHz, Slew rate ≥ 3 V/ns	-162.5		dBc/Hz
DUTY	Duty Cycle ⁽⁴⁾	50% input clock duty cycle	45%		55%	
V _{OH}	Output High Voltage	TA = 25 °C, DC Measurement, R _T = 50 Ω to VDDO - 2 V	VDDO - 1.2	VDDO - 0.99	VDDO - 0.7	V
V _{OL}	Output Low Voltage		VDDO - 2.0	VDDO - 1.75	VDDO - 1.5	V
V _{OD}	Output Voltage Swing ⁽⁵⁾		600	760	1000	mV
t _R	Output Rise Time 20% to 80% ⁽⁶⁾	R _T = 160 Ω to GND, Uniform transmission line up to 10 in. with 50-Ω characteristic impedance,		200		ps
t _F	Output Fall Time 80% to 20% ⁽⁶⁾	R _L = 100 Ω differential, C _L ≤ 5 pF		200		ps

(9) See *Typical Characteristics* for output operation over frequency.

(10) For the 156.25 MHz clock input conditions, Additive RMS Jitter (J_{ADD}) is calculated using Method : J_{ADD} = SQRT(J_{OUT}² - J_{SOURCE}²), where J_{OUT} is the total RMS jitter measured at the output driver and J_{SOURCE} is the RMS jitter of the clock source applied to CLKin.

(11) 156.25 MHz LVDS input clock source from Epson SG3225VEN(LVDS) Low-Noise SPXO.

(12) 156.25 MHz LVPECL input clock source from Epson SG3225VEN(LVPECL) Low-Noise SPXO.

(13) The noise floor of the output buffer is measured as the far-out phase noise of the buffer. Typically this offset is ≥ 10 MHz.

(14) Phase noise floor will degrade as the clock input slew rate is reduced. Compared to a single-ended clock, a differential clock input (LVPECL, LVDS) will be less susceptible to degradation in noise floor at lower slew rates due to its common mode noise rejection. However, it is recommended to use the highest possible input slew rate for differential clocks to achieve optimal noise floor performance at the device outputs.

Electrical Characteristics(continued)

Unless otherwise specified: VDD = 3.3 V ± 5%, VDDO = 3.3 V ± 5%, 2.5 V ± 5%, -40 °C ≤ T_A ≤ 85 °C, CLKin driven differentially, input slew rate ≥ 3 V/ns. Typical values represent most likely parametric norms at VDD = 3.3 V, VDDO = 3.3 V, T_A = 25 °C, and at the Recommended Operation Conditions at the time of product characterization and are not ensured.⁽¹⁾

Parameter		Test Conditions		Min	Typ	Max	Unit
LVDS Outputs							
f _{CLKout_FS}	Maximum Output Frequency Full V _{OD} Swing ⁽⁴⁾⁽⁹⁾	V _{OD} ≥ 250 mV, R _L = 100 Ω differential			1.37		GHz
f _{CLKout_RS}	Maximum Output Frequency Reduced V _{OD} Swing ⁽⁴⁾⁽⁹⁾	V _{OD} ≥ 200 mV, R _L = 100 Ω differential			2.1		GHz
Jitter _{ADD}	Additive RMS Jitter, Integration Bandwidth 10 kHz to 20 MHz ⁽⁶⁾⁽¹⁰⁾⁽¹¹⁾	VDDO = 3.3 V, R _L = 100 Ω differential	CLKin: 156.25 MHz, Slew rate ≥ 3 V/ns		59		fs
Jitter _{ADD}	Additive RMS Jitter Integration Bandwidth 1 MHz to 20 MHz ⁽¹⁰⁾	VDDO = 3.3 V, R _L = 100 Ω differential	CLKin: 156.25 MHz, Slew rate ≥ 3 V/ns	57.5			fs
Noise Floor	Noise Floor f _{OFFSET} ≥ 10 MHz ^{(13) (14)}	VDDO = 3.3 V, R _L = 100 Ω differential	CLKin: 156.25 MHz, Slew rate ≥ 3 V/ns	-160.6			dBc/Hz
DUTY	Duty Cycle ⁽⁴⁾	50% input clock duty cycle		45%		55%	
V _{OD}	Output Voltage Swing ⁽⁵⁾	T _A = 25 °C, DC Measurement, R _L = 100 Ω differential		250	400	450	mV
ΔV _{OD}	Change in Magnitude of V _{OD} for Complementary Output States			-50		50	mV
V _{OS}	Output Offset Voltage			1.125	1.25	1.375	V
ΔV _{OS}	Change in Magnitude of V _{OS} for Complementary Output States			-35		35	mV
t _R	Output Rise Time 20% to 80% ⁽⁶⁾			Uniform transmission line up to 10 inches with 50-Ω characteristic impedance,			200
t _F	Output Fall Time 80% to 20% ⁽⁶⁾	R _L = 100 Ω differential, C _L ≤ 5 pF			200		ps

Electrical Characteristics(continued)

Unless otherwise specified: VDD = 3.3 V ± 5%, VDDO = 3.3 V ± 5%, 2.5 V ± 5%, -40 °C ≤ TA ≤ 85 °C, CLKin driven differentially, input slew rate ≥ 3 V/ns. Typical values represent most likely parametric norms at VDD = 3.3 V, VDDO = 3.3 V, TA = 25 °C, and at the Recommended Operation Conditions at the time of product characterization and are not ensured.⁽¹⁾

Parameter		Test Conditions	Min	Typ	Max	Unit
HCSL Outputs						
f _{CLKout}	Output Frequency Range ⁽⁴⁾	R _L = 50 Ω to GND, C _L ≤ 5 pF	DC		250	MHz
Jitter _{ADD}	Additive RMS Jitter Integration Bandwidth 1 MHz to 20 MHz ⁽¹⁰⁾	VDDO = 3.3 V, R _T = 50 Ω to GND CLKin: 156.25 MHz, Slew rate ≥ 2.7 V/ns		70		fs
Noise Floor	Noise Floor f _{OFFSET} ≥ 10 MHz ⁽¹³⁾ (14)	VDDO = 3.3 V, R _T = 50 Ω to GND CLKin: 156.25 MHz, Slew rate ≥ 2.7 V/ns		-160		dBc/Hz
DUTY	Duty Cycle ⁽⁴⁾	50% input clock duty cycle	45%		55%	
V _{OH}	Output High Voltage	T _A = 25 °C, DC Measurement, R _T = 50 Ω to GND	520	800	920	mV
V _{OL}	Output Low Voltage		-150	0.5	150	mV
V _{CROSS}	Absolute Crossing Voltage ⁽⁴⁾ (15)	R _L = 50 Ω to GND, C _L ≤ 5 pF	160	350	460	mV
ΔV _{CROSS}	Total Variation of V _{CROSS} ⁽⁴⁾ (15)				140	mV
t _R	Output Rise Time 20% to 80% ⁽⁶⁾ (15)	250 MHz, Uniform transmission line up to 10 inches with 50-Ω characteristic impedance, R _L = 50 Ω to GND, C _L ≤ 5 pF		300	500	ps
t _F	Output Fall Time 80% to 20% ⁽⁶⁾ (15)			300	500	ps

(15) AC timing parameters for HCSL or CMOS are dependent on output capacitive loading.

Electrical Characteristics(continued)

Unless otherwise specified: VDD = 3.3 V ± 5%, VDDO = 3.3 V ± 5%, 2.5 V ± 5%, -40 °C ≤ TA ≤ 85 °C, CLKin driven differentially, input slew rate ≥ 3 V/ns. Typical values represent most likely parametric norms at VDD = 3.3 V, VDDO = 3.3 V, TA = 25 °C, and at the Recommended Operation Conditions at the time of product characterization and are not ensured.⁽¹⁾

Parameter		Test Conditions		Min	Typ	Max	Unit
LVC MOS Output (REFOUT)							
f _{CLKout}	Output Frequency Range ⁽⁴⁾	C _L ≤ 5 pF		DC		300	MHz
Jitter _{ADD}	Additive RMS Jitter Integration Bandwidth 1 MHz to 20 MHz ⁽¹⁰⁾	VDDO = 3.3 V, C _L ≤ 5 pF	156.25 MHz, Input Slew rate ≥ 3 V/ns	61			fs
Noise Floor	Noise Floor f _{OFFSET} ≥ 10 MHz ^{(13) (14)}	VDDO = 3.3 V, C _L ≤ 5 pF	156.25 MHz, Input Slew rate ≥ 3 V/ns	-160			dBc/Hz
DUTY	Duty Cycle ⁽⁴⁾	50% input clock duty cycle		45%		55%	
V _{OH}	Output High Voltage	1 mA load		VDDO-0.1			V
V _{OL}	Output Low Voltage					0.1	
I _{OH}	Output High Current (Source)	V _O = VDDO / 2		VDDO = 3.3 V	28		mA
				VDDO = 2.5 V	20		
I _{OL}	Output Low Current (Sink)			VDDO = 3.3 V	28		mA
				VDDO = 2.5 V	20		
t _R	Output Rise Time 20% to 80% ⁽⁶⁾⁽¹⁵⁾	250 MHz, Uniform transmission line up to 10 inches with 50-Ω characteristic impedance, R _L = 50 Ω to GND, C _L ≤ 5 pF			225	400	ps
t _F	Output Fall Time 80% to 20% ⁽⁶⁾⁽¹⁵⁾				225	400	ps
t _{EN}	Output Enable Time ⁽¹⁶⁾	C _L ≤ 5 pF				3	cycles
t _{DIS}	Output Disable Time ⁽¹⁶⁾					3	cycles

(16) Output Enable Time is the number of input clock cycles it takes for the output to be enabled after OE_SE is pulled high. Similarly, Output Disable Time is the number of input clock cycles it takes for the output to be disabled after OE_SE is pulled low. The OE_SE signal should have an edge transition much faster than that of the input clock period for accurate measurement.

Electrical Characteristics(continued)

Unless otherwise specified: VDD = 3.3 V ± 5%, VDDO = 3.3 V ± 5%, 2.5 V ± 5%, -40 °C ≤ TA ≤ 85 °C, CLKIn driven differentially, input slew rate ≥ 3 V/ns. Typical values represent most likely parametric norms at VDD = 3.3 V, VDDO = 3.3 V, TA = 25 °C, and at the Recommended Operation Conditions at the time of product characterization and are not ensured.⁽¹⁾

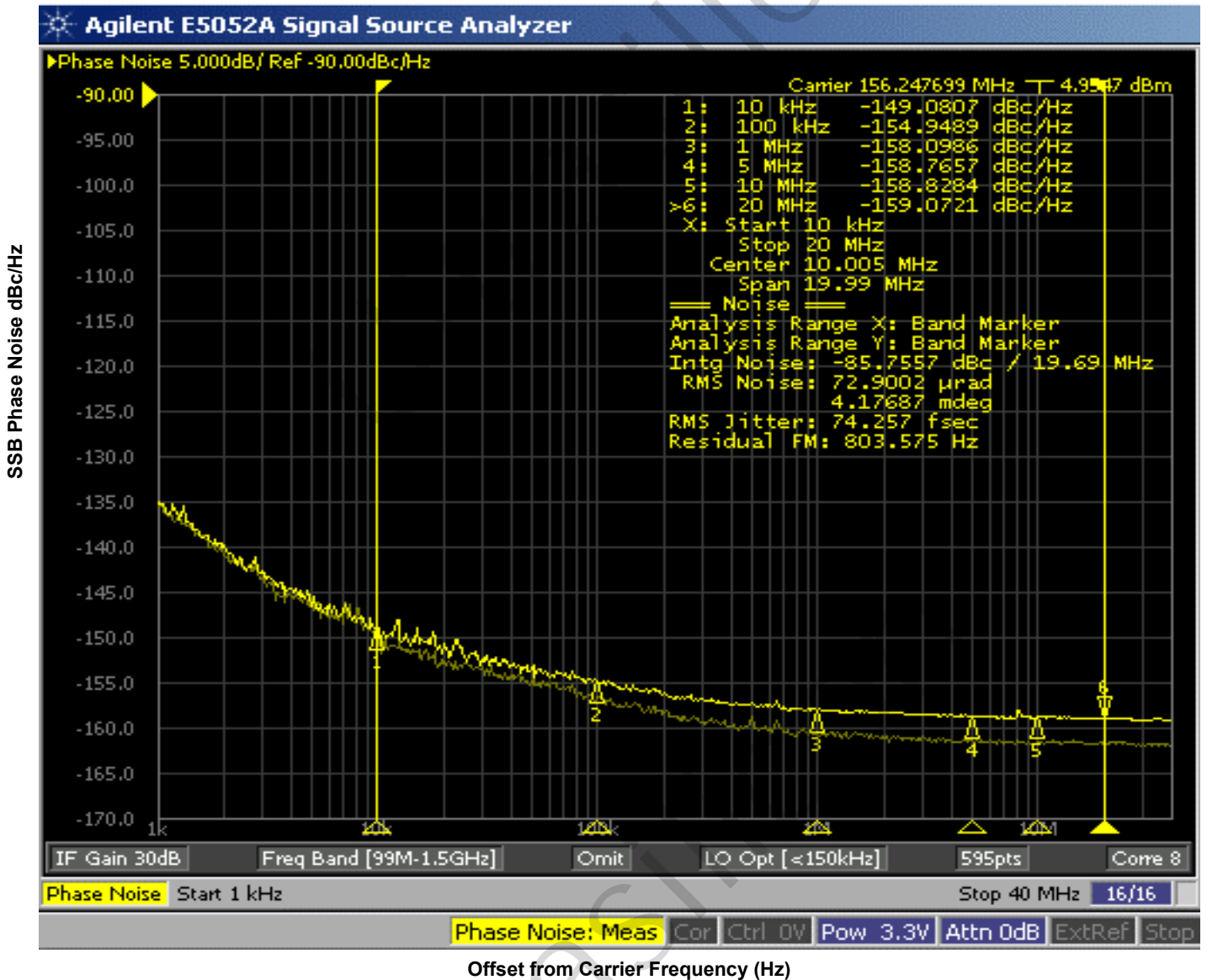
Parameter	Test Conditions	Min	Typ	Max	Unit		
Propagation Delay and Output Skew							
t _{PD_PECL}	Propagation Delay CLKIn-to-LVPECL ⁽⁶⁾	R _T = 160 Ω to GND, R _L = 100 Ω differential, C _L ≤ 5 pF		180	360	540	ps
t _{PD_LVDS}	Propagation Delay CLKIn-to-LVDS ⁽⁶⁾	R _L = 100 Ω differential, C _L ≤ 5 pF		200	400	600	ps
t _{PD_HCSL}	Propagation Delay CLKIn-to-HCSL ⁽⁶⁾⁽¹⁵⁾	R _T = 50 Ω to GND, C _L ≤ 5 pF		295	590	885	ps
t _{PD_CMOS}	Propagation Delay CLKIn-to-LVCMOS ⁽⁶⁾⁽¹⁵⁾	C _L ≤ 5 pF	VDDO = 3.3 V	900	1475	2300	ps
			VDDO = 2.5 V	1000	1550	2700	
t _{SK(O)}	Output Skew LVPECL/LVDS/HCSL ⁽⁴⁾⁽¹⁵⁾⁽¹⁷⁾	Skew specified between any two CLKouts with the same buffer type. Load conditions per output type are the same as propagation delay specifications.			30	50	ps
t _{SK(PP)}	Part-to-Part Output Skew LVPECL/LVDS/HCSL ⁽⁶⁾⁽¹⁵⁾⁽¹⁷⁾				80	120	ps

(17) Output skew is the propagation delay difference between any two outputs with identical output buffer type and equal loading while operating at the same supply voltage and temperature conditions.

Additive Phase Jitter

The spectral purity in a band at a specific offset from the fundamental compared to the power of the fundamental is called the **dBc Phase Noise**. This value is normally expressed using a Phase noise plot and is most often the specified plot in many applications. Phase noise is defined as the ratio of the noise power present in a 1Hz band at a specified offset from the fundamental frequency to the power value of the fundamental. This ratio is expressed in decibels (dBm) or a ratio

of the power in the 1Hz band to the power in the fundamental. When the required offset is specified, the phase noise is called a **dBc** value, which simply means dBm at a specified offset from the fundamental. By investigating jitter in the frequency domain, we get a better understanding of its effects on the desired application over the entire time record of the signal. It is mathematically possible to calculate an expected bit error rate given a phase noise plot.



As with most timing specifications, phase noise measurements have issues relating to the limitations of the measurement equipment. The noise floor of the equipment can be higher or lower than the noise floor of the device. Additive phase noise is dependent on both the noise floor of the input source and measurement equipment.

The additive phase jitter for this device was measured using an EPSON Clock Driver SG3225VEN as an input source and Agilent E5052A phase noise analyzer.

Applications Information

Recommendations for Unused Input and Output Pins

Inputs:

CLK/nCLK Inputs

For applications not requiring the use of the differential input, both CLK and nCLK can be left floating. Though not required, but for additional protection, 1kΩ resistors can be tied from CLK to ground and nCLK to V_{DD}.

Crystal Inputs

For applications not requiring the use of the crystal oscillator input, both XTAL_I and XTAL_O can be left floating. Though not required, but for additional protection, a 1kΩ resistor can be tied from XTAL_I to ground.

LVC MOS Control Pins

All control pins have internal pulldowns; additional resistance is not required but can be added for additional protection. A 1kΩ resistor can be used.

Outputs:

LVC MOS Output (REFOUT)

If LVC MOS output is not used, then disable the output and it can be left floating.

LVPECL and HCSL Outputs

Any unused output pairs can be left floating. We recommend that there is no trace attached.

LVDS Outputs

Any unused LVDS output pairs can be either left floating or terminated with 100Ω across. If they are left floating, we recommend that there is no trace attached.

Differential Outputs

If all the outputs of any bank are not used, then disable all outputs to High-Impedance.

Crystal Input Interface

The US5D306 has been characterized with 18pF parallel resonant crystals. The capacitor values, C1 and C2, shown in *Figure 1* below were determined using an 18pF parallel resonant crystal and were chosen to minimize the ppm error. In addition, the recommended 12pF parallel resonant crystal tuning is shown in *Figure 2*. The optimum C1 and C2 values can be slightly adjusted for different board layouts.

Power Up Ramp Sequence

This device has multiple supply pins dedicated for different blocks. Output power supplies V_{DDOx} (V_{DDOA}, V_{DDOB}, V_{DDOC}) must ramp up after, or concurrently with core power supply V_{DD}. All power supplies must ramp up in a linear fashion and monotonically. Both V_{DDOA} and V_{DDOB} power supplies must be powered-up even when only one bank of outputs is in use.

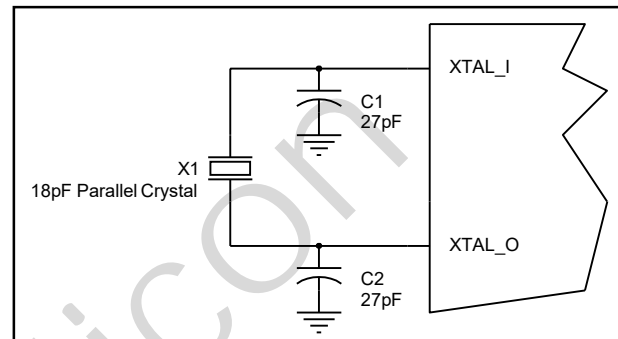


Figure 1: Crystal Input Interface

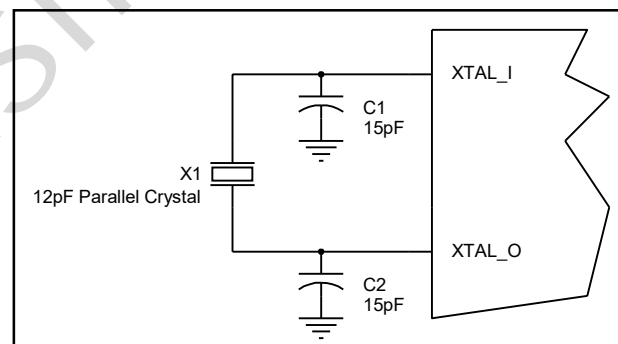


Figure 2: Crystal Input Interface

Overdriving the XTAL Interface

The XTAL_I input can be overdriven by an LVCMOS driver or by one side of a differential driver through an AC coupling capacitor. The XTAL_O pin can be left floating. For 3.3V LVCMOS inputs, the amplitude must be reduced from full swing to at least half the swing in order to prevent signal interference with the power rail and to reduce internal noise. Figure 3 shows an example of the interface diagram for a high speed 3.3V LVCMOS driver. This configuration requires that the sum of the output impedance of the driver (R_o) and the series resistance (R_s) equals the transmission line impedance. In addition, matched termination at the crystal input will attenuate the signal in half. This

can be done in one of two ways. First, R_1 and R_2 in parallel should equal the transmission line impedance. For most 50Ω applications, R_1 and R_2 can be 100Ω . This can also be accomplished by removing R_1 and changing R_2 to 50Ω . The values of the resistors can be increased to reduce the loading for a slower and weaker LVCMOS driver. Figure 4 shows an example of the interface diagram for an LVPECL driver. This is a standard LVPECL termination with one side of the driver feeding the XTAL_I input. It is recommended that all components in the schematics be placed in the layout. Though some components might not be used, they can be utilized for debugging purposes. The datasheet specifications are characterized and guaranteed by using a quartz crystal as the input.

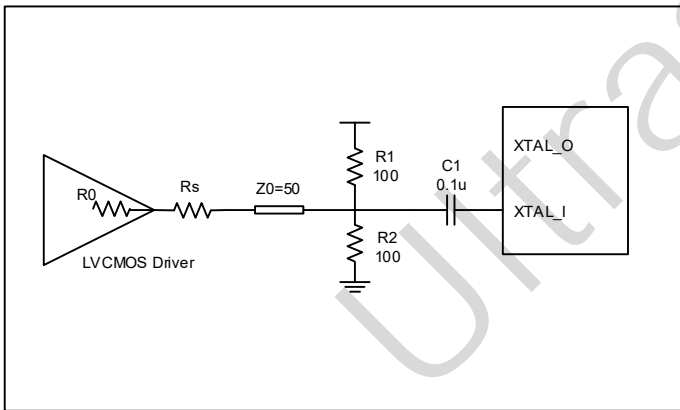


Figure 3: General Diagram for LVCMOS Driver to XTAL Input Interface

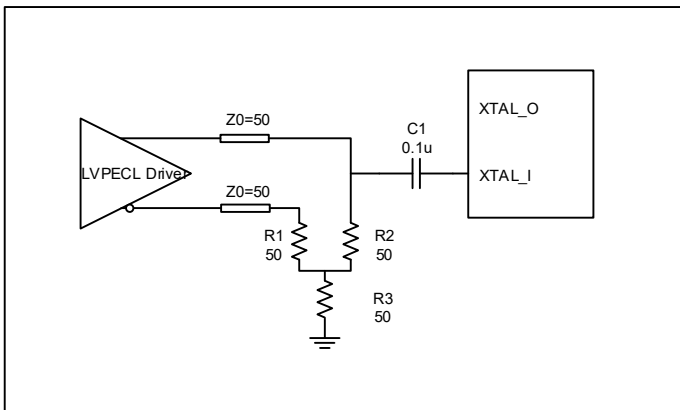


Figure 4: General Diagram for LVPECL Driver to XTAL Input Interface

Wiring the Differential Input to Accept Single-Ended Levels

Figure 5 shows how a differential input can be wired to accept single ended levels. The reference voltage $V_1 = V_{DD}/2$ is generated by the bias resistors R1 and R2. The bypass capacitor (C1) is used to help filter noise on the DC bias. This bias circuit should be located as close to the input pin as possible. The ratio of R1 and R2 might need to be adjusted to position the V_1 in the center of the input voltage swing. For example, if the input clock swing is 2.5V and $V_{DD} = 3.3V$, R1 and R2 value should be adjusted to set V_1 at 1.25V. The values below are for when both the single ended swing and V_{DD} are at the same voltage. This configuration requires that the sum of the output impedance of the driver (R_o) and the series resistance (R_s) equals the transmission line impedance. In addition, matched termination at the input will attenuate the signal in half. This can be done in one of two ways. First, R3 and R4 in parallel should equal the transmission line impedance. For most 50Ω applications, R3 and R4 can be 100Ω.

The values of the resistors can be increased to reduce the loading for slower and weaker LVCMOS driver. When using single-ended signaling, the noise rejection benefits of differential signaling are reduced. Even though the differential input can handle full rail LVCMOS signaling, it is recommended that the amplitude be reduced. The datasheet specifies a lower differential amplitude, however this only applies to differential signals. For single-ended applications, the swing can be larger, however V_{IL} cannot be less than $-0.3V$ and V_{IH} cannot be more than $V_{DD} + 0.3V$. Suggest edge rate faster than 1V/ns. Though some of the recommended components might not be used, the pads should be placed in the layout. They can be utilized for debugging purposes. The datasheet specifications are characterized and guaranteed by using a differential signal.

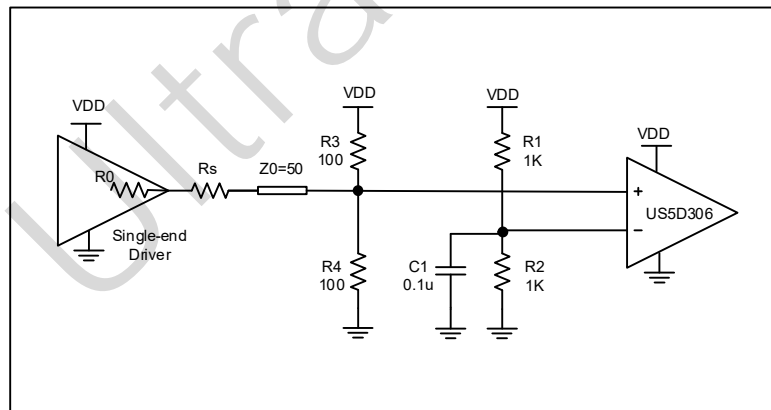


Figure 5: Recommended Schematic for Wiring a Differential Input to Accept Single-ended Levels

3.3V Differential Clock Input Interface

The CLK/nCLK accepts LVDS, LVPECL, HCSL and other differential signals. Both differential signals must meet the V_{PP} and V_{CMR} input requirements. Figure 6 to Figure 9 show interface examples for the CLK/nCLK input driven by the most common driver types. The input

interfaces suggested here are examples only. Please consult with the vendor of the driver component to confirm the driver termination requirements.

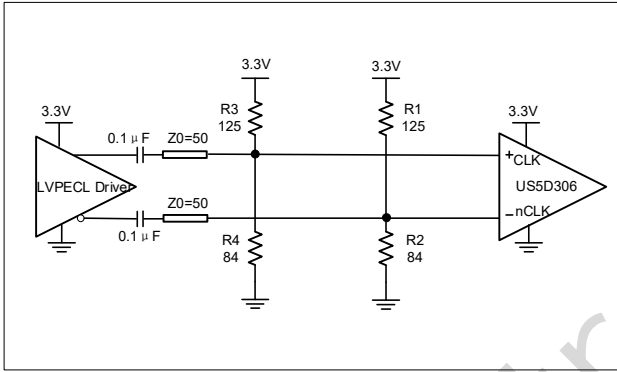


Figure 6: CLK/nCLK Input Driven by a 3.3V LVPECL Driver

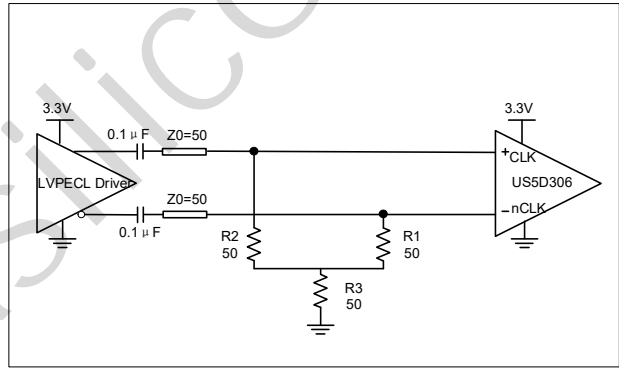


Figure 8: CLK/nCLK Input Driven by a 3.3V LVPECL Driver

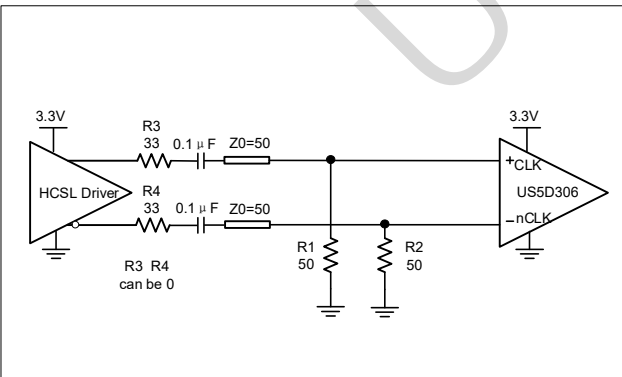


Figure 7: CLK/nCLK Input Driven by a 3.3V HCSL Driver

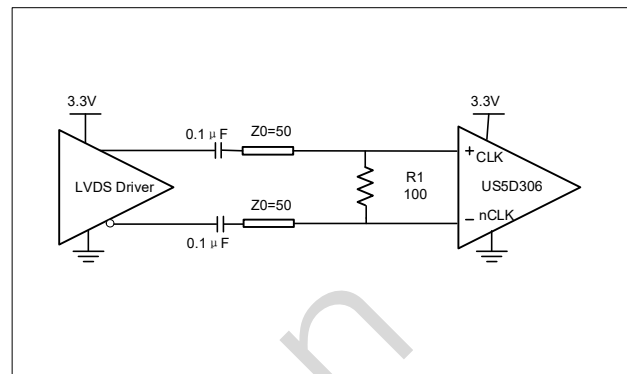


Figure 9: CLK/nCLK Input Driven by a 3.3V LVDS Driver

2.5V Differential Clock Input Interface

The CLK/nCLK accepts LVDS, LVPECL, HCSL and other differential signals. Both differential signals must meet the V_{PP} and V_{CMR} input requirements. Figure 10 to Figure 13 show interface examples for the CLK/nCLK input driven by the most common driver types. The input

interfaces suggested here are examples only. Please consult with the vendor of the driver component to confirm the driver termination requirements.

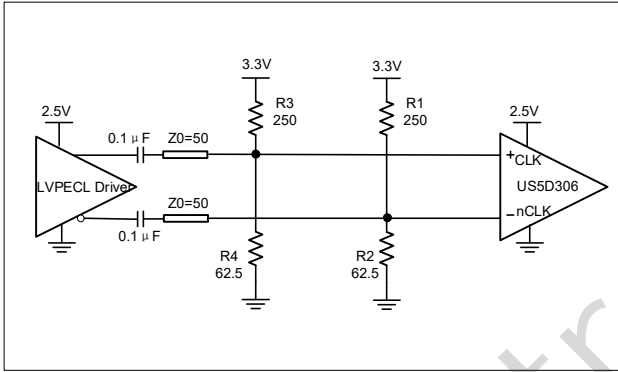


Figure 10: CLK/nCLK Input Driven by a 2.5V LVPECL Driver

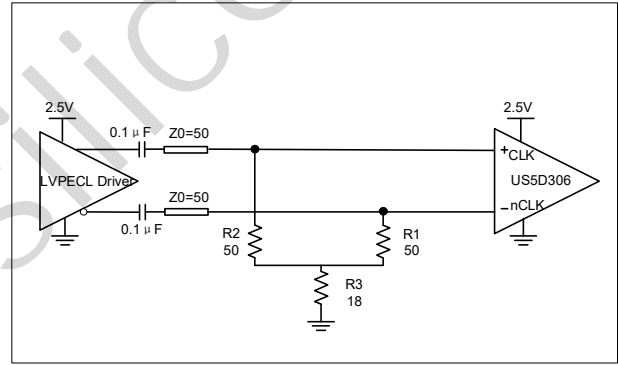


Figure 11: CLK/nCLK Input Driven by a 2.5V LVPECL Driver

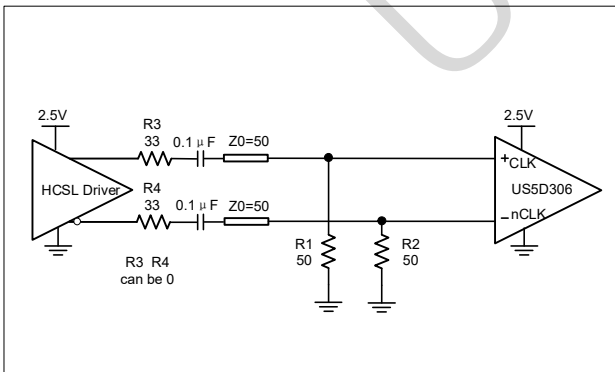


Figure 12: CLK/nCLK Input Driven by a 2.5V HCSL Driver

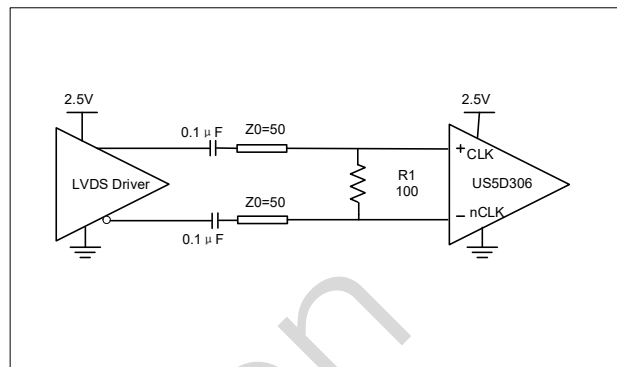


Figure 13: CLK/nCLK Input Driven by a 2.5V LVDS Driver

LVDS Driver Termination

For a general LVDS interface, the recommended value for the termination impedance (Z_T) is between 90Ω and 132Ω . The actual value should be selected to match the differential impedance (Z_0) of your transmission line. A typical point-to-point LVDS design uses a 100Ω parallel resistor at the receiver and a 100Ω differential transmission-line environment. In order to avoid any transmission-line reflection issues, the components should be surface mounted and must be placed as close to the receiver as possible. The standard termination schematic as shown in Figure 14 can be used.

Figure 15, which can also be used, is an optional termination with center tap capacitance to help filter common mode noise. The capacitor value should be approximately 50pF .

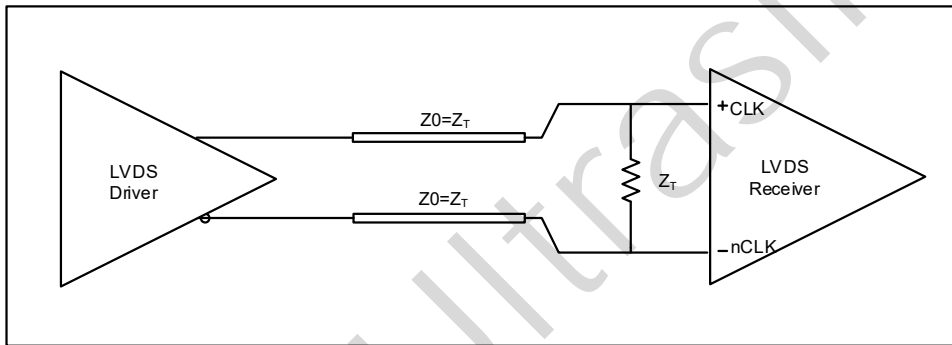


Figure 14: Standard LVDS Termination

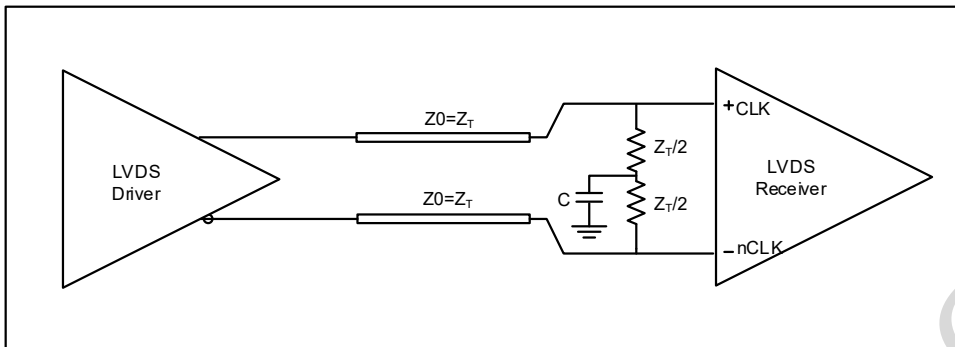


Figure 15: Optional LVDS Termination

Termination for 3.3V LVPECL Outputs

The clock topology shown below is a typical termination for LVPECL outputs. The two different terminations mentioned are recommended only as guidelines.

The differential outputs are low impedance follower outputs that generate ECL/LVPECL compatible outputs. Therefore, terminating resistors (DC current path to ground) or current sources must be

used for functionality. These outputs are designed to drive 50Ω transmission lines. Matched impedance techniques should be used to maximize operating frequency and minimize signal distortion.

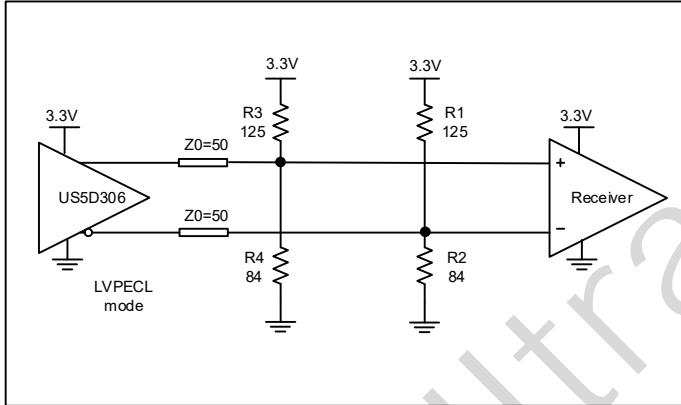


Figure 16: 3.3V LVPECL Output Termination

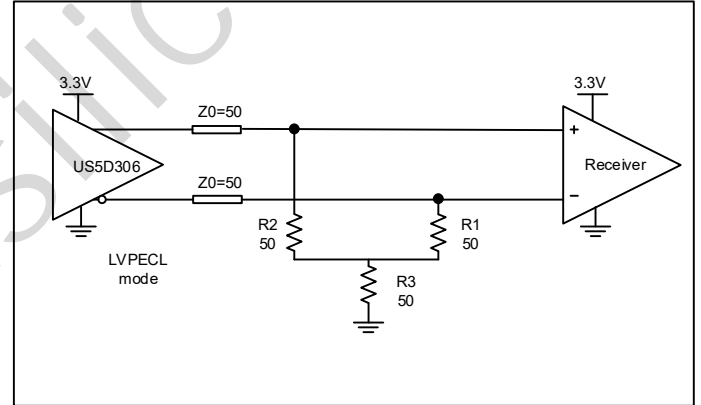


Figure 17: 3.3V LVPECL Output Termination

Termination for 2.5V LVPECL Outputs

Figure 18 and Figure 19 show examples of termination for 2.5V LVPECL driver. These terminations are equivalent to terminating 50Ω to $V_{DDO} - 2V$. For $V_{DDO} = 2.5V$, the $V_{DDO} - 2V$ is very close to ground

level. The R3 in Figure 19 can be eliminated and the termination is shown in Figure 20.

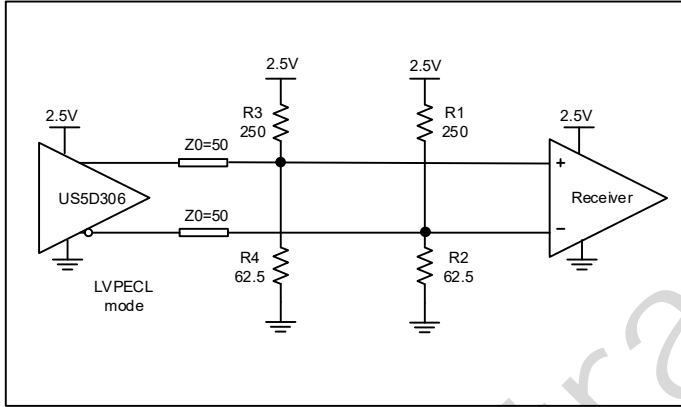


Figure 18: 2.5V LVPECL Driver Termination Example

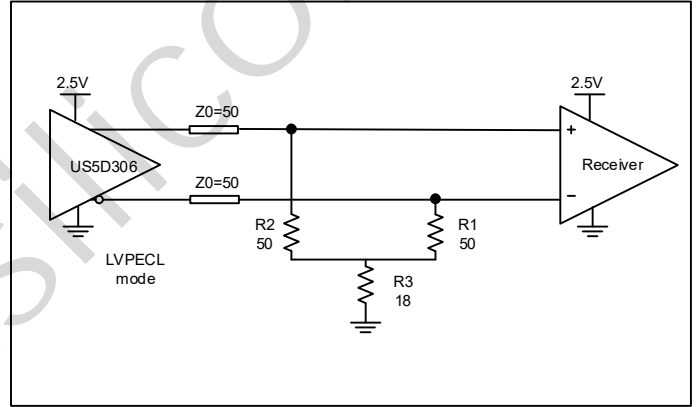


Figure 20: 2.5V LVPECL Driver Termination Example

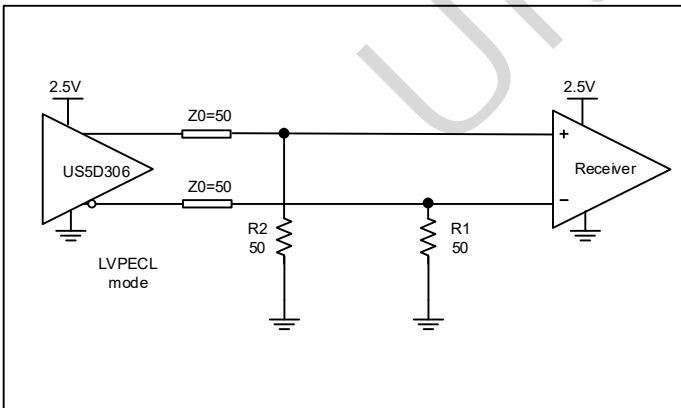


Figure 19: 2.5V LVPECL Driver Termination Example

Recommended Termination

Figure 21 is the recommended source termination for applications where the driver and receiver will be on a separate PCBs. This termination is the standard for PCI Express™ and HCSL output

types. All traces should be 50Ω impedance single-ended or 100Ω differential.

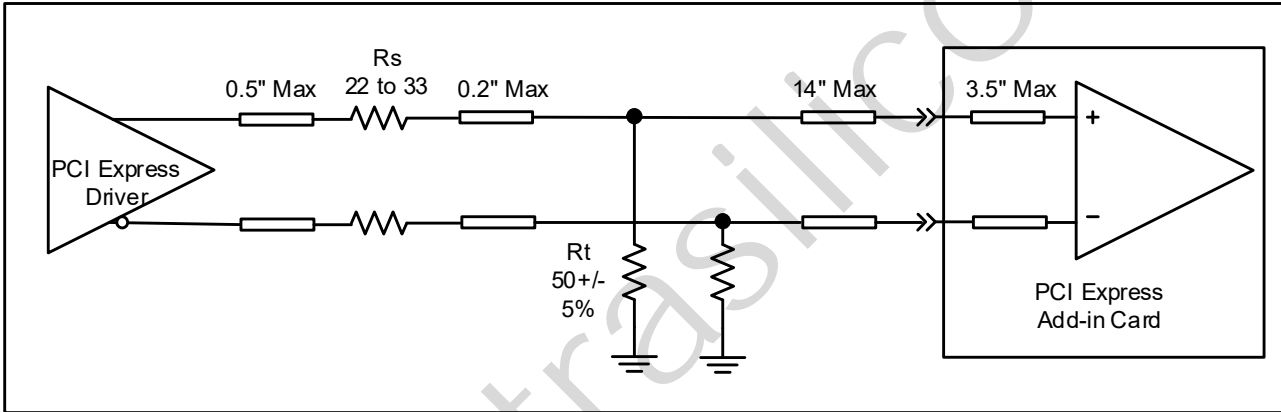


Figure 21: Recommended Source Termination (where the driver and receiver will be on separate PCBs)

Figure 22 is the recommended termination for applications where a point-to-point connection can be used. A point-to-point connection contains both the driver and the receiver on the same PCB. With a matched termination at the receiver, transmission-line reflections will

be minimized. In addition, a series resistor (Rs) at the driver offers flexibility and can help dampen unwanted reflections. The optional resistor can range from 0Ω to 33Ω. All traces should be 50Ω impedance single-ended or 100Ω differential.

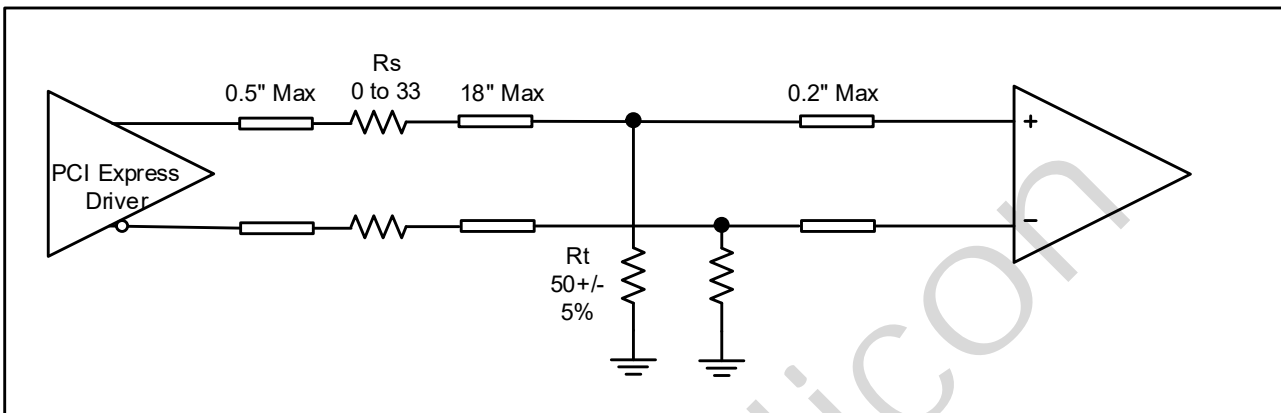


Figure 22: Recommended Termination (where a point-to-point connection can be used)

WQFN EPAD Thermal Release Path

In order to maximize both the removal of heat from the package and the electrical performance, a land pattern must be incorporated on the Printed Circuit Board (PCB) within the footprint of the package corresponding to the exposed metal pad or exposed heat slug on the package, as shown in *Figure 23*. The solderable area on the PCB, as defined by the solder mask, should be at least the same size/shape as the exposed pad/slug area on the package to maximize the thermal/electrical performance. Sufficient clearance should be designed on the PCB between the outer edges of the land pattern and the inner edges of pad pattern for the leads to avoid any shorts.

While the land pattern on the PCB provides a means of heat transfer and electrical grounding from the package to the board through a solder joint, thermal vias are necessary to effectively conduct from the surface of the PCB to the ground plane(s). The land pattern must be connected to ground through these vias. The vias act as “heat pipes”. The number of vias (i.e. “heat pipes”) are application specific

and dependent upon the package power dissipation as well as electrical conductivity requirements. Thus, thermal and electrical analysis and/or testing are recommended to determine the minimum number needed. Maximum thermal and electrical performance is achieved when an array of vias is incorporated in the land pattern. It is recommended to use as many vias connected to ground as possible. It is also recommended that the via diameter should be 12 to 13mils (0.30 to 0.33mm) with 1oz copper via barrel plating. This is desirable to avoid any solder wicking inside the via during the soldering process which may result in voids in solder between the exposed pad/slug and the thermal land. Precautions should be taken to eliminate any solder voids between the exposed heat slug and the land pattern. Note: These recommendations are to be used as a guideline only.

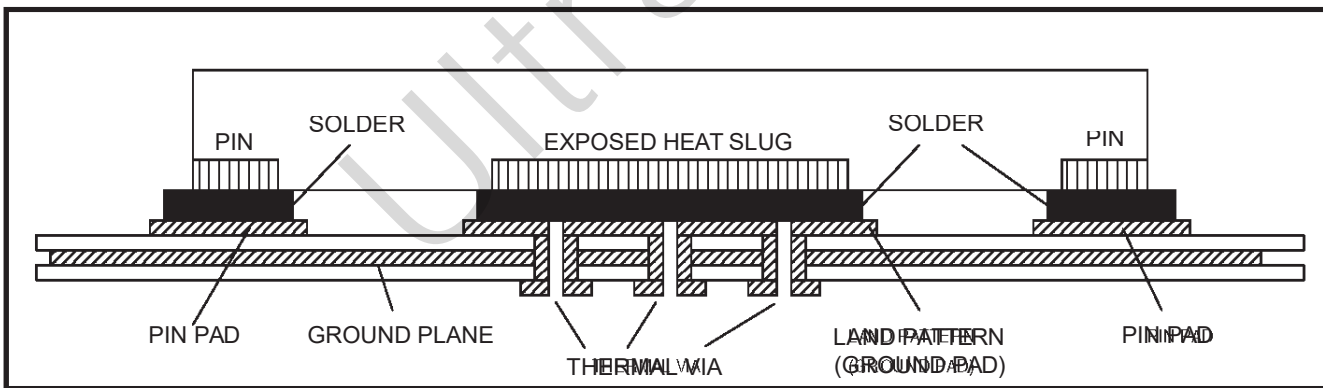
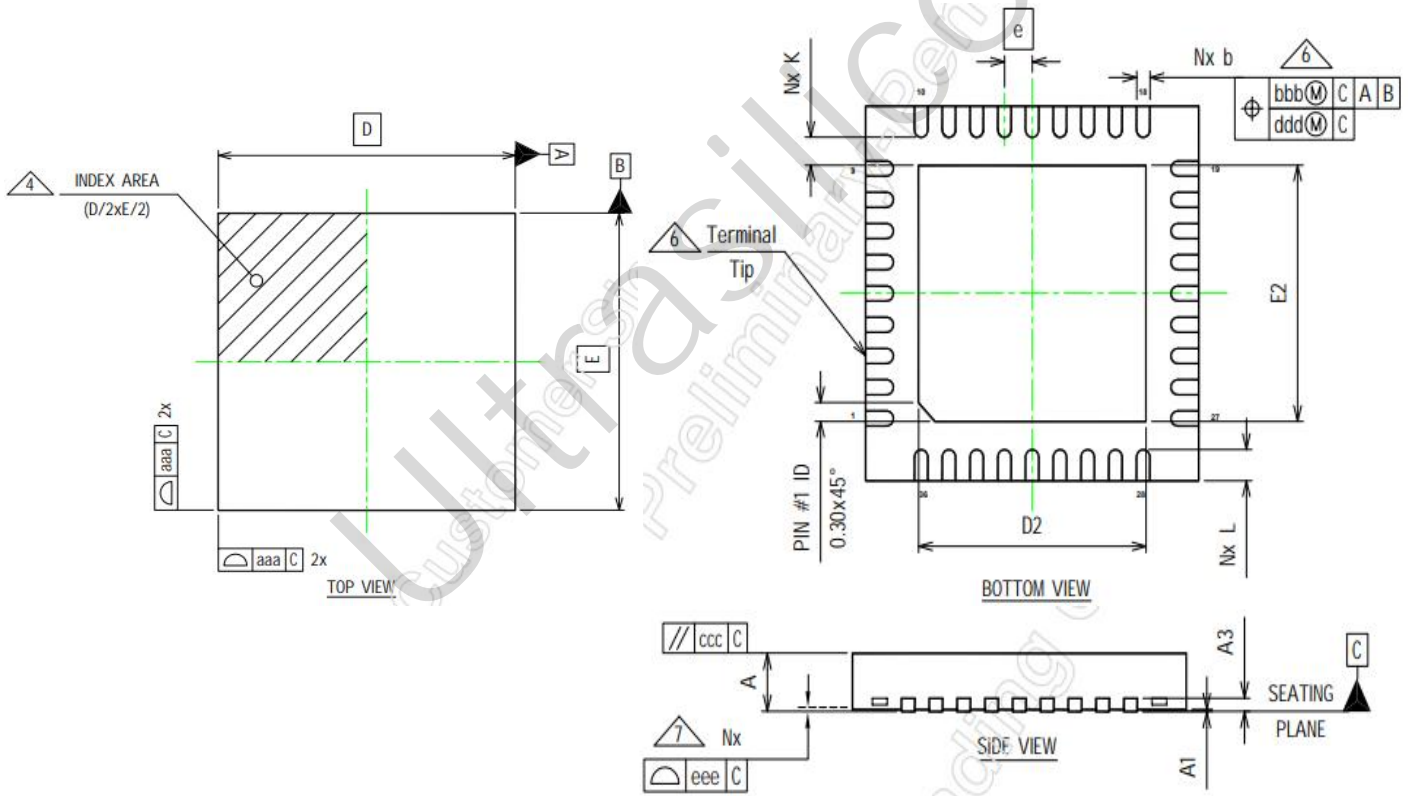


Figure 23: P.C. Assembly for Exposed Pad Thermal Release Path – Side View (drawing not to scale)

PACKAGE DIMENSIONS



Dimension Table

	MINIMUM	NOMINAL	MAXIMUM	NOTE
A	0.70	0.75	0.80	
A1	0.00	0.02	0.05	
A3	---	0.203Ref	---	
b	0.19	0.24	0.29	6
D	6.00BSC			
E	6.00BSC			
e	0.50BSC			
D2	3.95	4.10	4.20	
E2	3.95	4.10	4.20	
K	0.20	---	---	
L	0.40	0.50	0.60	

aaa	0.05	
bbb	0.10	
ccc	0.10	
ddd	0.05	
eee	0.08	
N	36	3
ND	9	5
NE	9	5
NOTES	1,2	
LF PART NO.	443233	
LF DWG. NO.	CARSEM-HT-107A	

Note:

1. Dimensioning and tolerancing conform to ASME Y14.5-2009.
2. All dimensions are in millimeters.
3. N is the total number of terminals.
4. The location of the marked terminal #1 identifier is within the hatched area.
5. ND and NE refer to the number of terminals on D and E side respectively.
6. Dimension b applies to the metallized terminal and is measured between 0.15mm and 0.30mm from the terminal tip. If the terminal has a radius on the other end of it, dimension b should not be measured in that radius area.
7. Colanarity applies to the terminals and all other bottom surface metallization.

Reflow profile

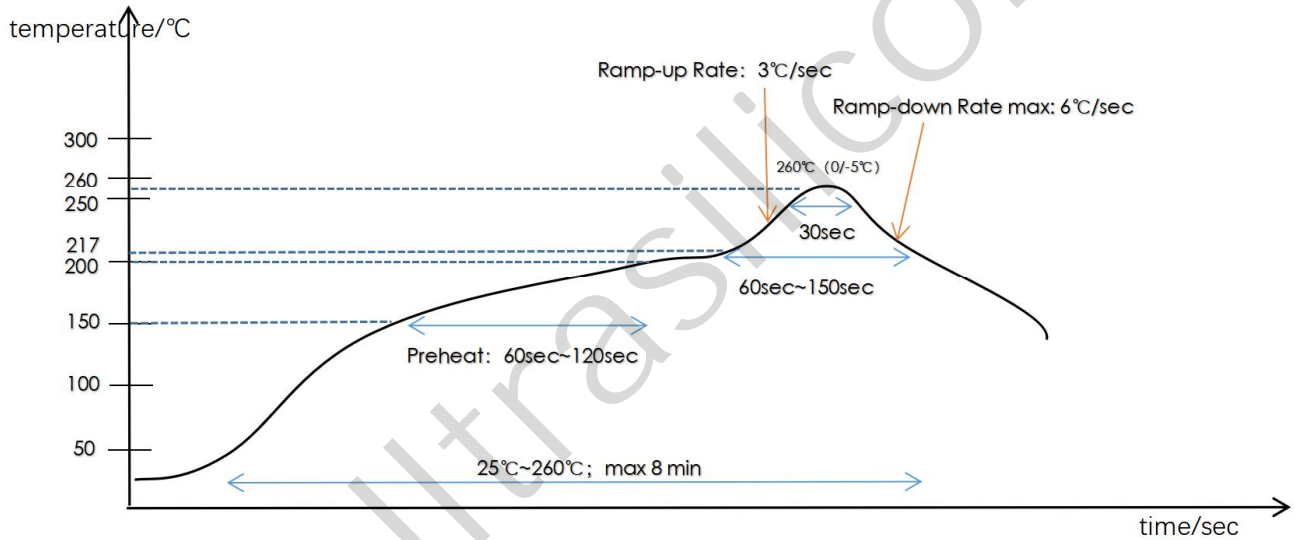


Figure: Recommended Temperature(PB-Free)

Reflow Condition	Convection or IR/Convection
Average ramp-up rate(217°C to Peak)	3 °C/second max
Preheat temperature 175(±25)°C	60~120 seconds
Temperature maintained above 217°C	60~150 seconds
Time within 5°C of actual peak temperature	30 seconds
Peak temperature range	260 +0/-5°C
Ramp-down rate	6°C/second max
Time 25°C to peak temperature	8 minutes max
Maximum number of reflow cycles	≤3

Revision History

Date	Description of Change	Revision
2022.05.05	First Draft.	1.0
2022.09.02	Add PCI-E 5.0.	2.0